

LONPLT Module

LONPLT-Extension for Smart Manager 4.0

Art. No.: 095411



■ Article description

The LONPLT extension for the Smart Manager 4.0 offers you a fast and flexible solution to access LonWorks® Powerline networks.

The innovative STV mounting rail bus allows the LONPLT module to be directly attached to the Smart Manager. This ensures a compact design and minimises the wiring effort.



Abb. ähnlich

Communication with the Smart Manager takes place internally via the STV mounting rail bus.

The serial interface can be selected with a switch on the LONPLT module, allowing two extensions (LON-PLT, LON-FTT) to be combined as desired.

The service is actuated contactless, magnetically, on the upper part of the housing (see symbol Magnet). The Service Led can be switched off by command.

The configuration and evaluation of the data is done via an API on the Smart Manager. Standardised LonMark® objects simplify the connection.

■ Characteristics

- Supply voltage: via STV mounting rail bus 24 V_{DC (nom.)}
- Configuration: Selection of the serial interface with switch S1/S2
Magnetic service contact
- Processor: Echelon FT 5000 Smart Transceiver
- Displays: PKD (package detect), flashing yellow
Service, yellow flashing / glowing
can be switched off by GPIO (IO3) using command, 0xCx, „nilO_SET“
(IO3 High →Service LED off), (IO3 Low →Service LED active)
- Connection: Spring clamp for the TP/FT-10 network
Power supply and serial communication via STV mounting rail bus
- Applications: Wide range of applications from mechanical engineering and industrial automation to home and building automation with standardised communication.
- Availability: 10 years (compatible device version)

LONPLT Module

LONPLT-Extension for Smart Manager 4.0

Art. No.: 095411



■ **Technical Data**

➤ Power supply:

Supply voltage	STV- mounting rail bus 24 V _{DC} / 5 V _{DC}
Supply voltage range	+20 V _{DC} (min.) bis +28 V _{DC} (max.) +4,7 V _{DC} (min.) bis +5,3 V _{DC} (max.)
Power consumption at nominal supply voltage without load currents	approx. 50 mA

➤ Communication:

Interface STV-mounting rail bus	Serial, 115.200 Bd, 8n1
Network LonWorks (ANSI/CEA-709.1)	PL-20 (C-Band Power Line, ISO/IEC 14908-3) channel
Protection of interface	ESD protection by TVS diodes. A phase coupler with galvanic isolation is required, e.g. PC04, STV Art. No. 095029

➤ Connection data:

Connection type	Push-in spring connection
Type of operation	pusher
Conductor cross-section of solid conductors	0,25 .. 0,75 mm ² / 24 .. 19 AWG
Conductor cross-section of fine-stranded conductors	0,25 .. 0,75 mm ² / 24 .. 19 AWG
Conductor cross-section of fine-stranded conductors with sleeve	0,25 .. 0,5 mm ² / 24 .. 20 AWG
Stripping length	9 mm

■ **Environmental conditions**

Ambient temperature (storage)	-40 °C to +65 °C
Ambient temperature (mounting)	-5 °C to +65 °C
Ambient temperature (operating)	-40 °C to +55 °C
Relative humidity (without condensation)	93 %

LONPLT Module

LONPLT-Extension for Smart Manager 4.0

Art. No.: 095411



■ Housing data

Type of housing	Installation housing according to DIN 43880
Housing material	Plastic, polycarbonate
Colour	Light grey (RAL 7035) Black (RAL 9005)
Flammability category	V0 according to UL 94
Protection class	IP 20
Mounting	Mounting rail 35 according to DIN EN 50022
Mounting position	parallel to mounting rail

■ Standards and regulations

Conformity marking	CE
EMC noise immunity	acc. to DIN EN 55024
EMC radiated emissions	acc. to DIN EN 55032
Electromagnetic compatibility	acc. to DIN EN IEC 61000-6-2

LONPLT Module

LONPLT-Extension for Smart Manager 4.0

Art. No.: 095411



■ Physical Data

Width	36,0 mm
Height	89,7 mm
Depth (device)	60,7 mm
Depth (with mounting rail)	62,2 mm
Weight	ca. 67 g

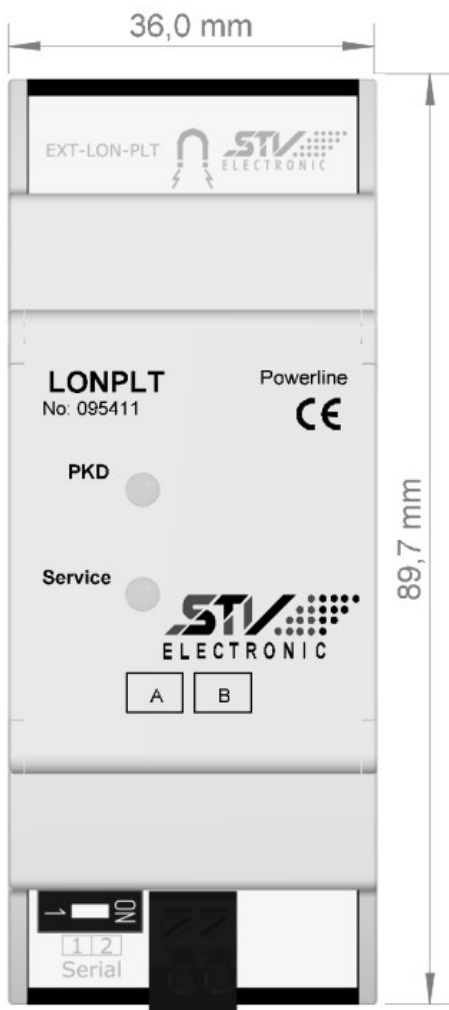
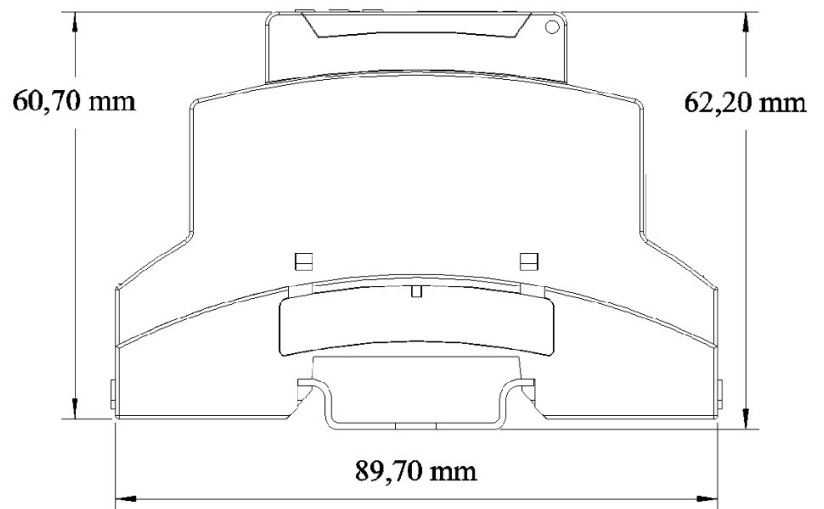


Image similar

View from the top



Schematic left side